



Motor Controller 10A CAN





Technical Data

Construction	Standard Relay
Mounting	Socket
Connector	FASTON Terminal® 6.3 mm FASTON Terminal® 2.8 mm
Housing Dimensions	30 x 30 x 40 mm
Weight	60.20 g
Ambient Temperature	-40°C to 85°C
Protection Class	IP53
Operating Voltage U _B	9-30 V
Current Consumption	25 mA
Current Consumption Sleep Mode	6 mA
Resolution	Load dependent

Processor

Manufacturer	Freescale
Processor Type	S9S08DZ60
Clock Frequency	20 MHz
Flash	60 K
Ram	4 K
EEPROM	2 K

Interfaces

CAN-bus

According to ISO 11898-5	High-speed
According to CAN 2.0A	11-bit standard address identifier
According to CAN 2.0B	29-bit extended address identifier
Baud Rate	20-kBit/s – 1000-kBit/s Default 125-kBit/s

Technical Examination

EMV	In progress
E1 Approval Number	ECE R10 047515

Possible Inputs and Outputs

Analog Inputs	3
Motor Outputs	1



Technical Data Inputs and Outputs

Characteristics Motor Output 87 87a Full-Bridge

Load Current	10 A
Overload Capability	12 A 5 min

Characteristics Analog Inputs

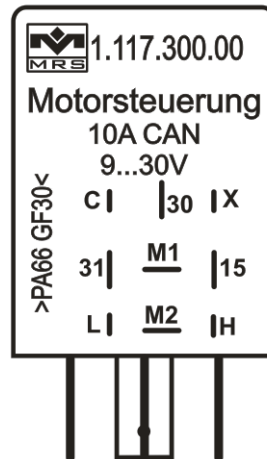
	Standard	30V
Input voltage	0 V... 11.3 V	0 V... 33.68 V
Resolution	12-bit	12-bit
Input Resistance	22.6 kΩ	66.6 kΩ
Input Frequency	To 100 Hz/optional to 10 kHz	

Programming

Interface	CAN-bus
Software	MRS Developers Studio with built-in function library, similar programmable like FUP. Customized program components can be integrated into "C-code". Program memory is sufficient for about 300 simple components.

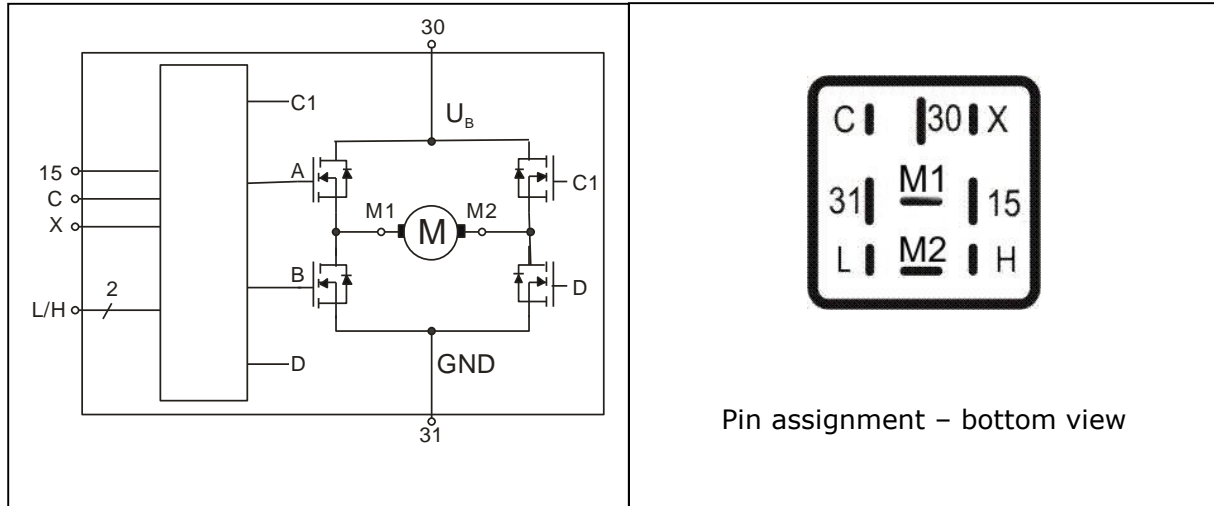
Design

Typ A





Connection Diagram



Connection Assignment

Pin	Signal	Pin Description
01	X	Analog input 0-11 V
02	30 – Vcc	Operating voltage 9 - 30 V
03	C	Analog input 0-11 V
04	KL15	Analog input 0-11 V
05	M1	Motor output M1
06	31 – GND	Mass
07	CAN-H	CAN-high
08	M2	Motor output M2
09	CAN-L	CAN-low

Datasheet
Motor Controller 10A CAN

MRS Electronic, Inc.®
2149 Winner Circle
Dayton, OH 45404
(937) 522-0800
www.mrs-electronic.com



Ordering Information

Designation	Execution	Order Number
Motor Controller 10A CAN	with Poti	1.117.300.00E

Accessories

Designation	Order Number
Programming Tool MRS Developers Studio	1.100.100.09
Socket	1.017.002.00
Cable set	109446
FASTON Terminal® 6.3 mm 1.5-2.5 mm ²	103064
FASTON Terminal® 6.3 mm 1.0 mm ²	102355
FASTON Terminal® 2.8 mm 0.5-1.0 mm ²	105292
Bracket for Housing	1.017.080.00
PCAN-USB Interface	105358