



# Micro Gateway





## Technical Data

Construction	KFZ Standard Relay
Mounting	Socket
Connector	FASTON Terminal® 6.3 mm FASTON Terminal® 2.8 mm
Housing Dimensions	30 x 30 x 50 mm
Ambient Temperature	-40°C up to +85°C
Protection Class	IP53
Operating Voltage U <sub>B</sub>	9 - 30 V DC / CAN-CAN-LIN 12 V DC
Current Consumption	60 mA

## Processor

Manufacturer	Freescale
Processor Type	S912XEG128
Clock Frequency	50 MHz
Flash	128 K
RAM	12 K
EEPROM	2 K

## Interfaces

### CAN-bus

According to ISO 11898-5	CAN-high speed
According to CAN 2.0A	11-bit standard address identifier
According to CAN 2.0B	29-bit extended address identifier
Baud Rate	20-kBit/s – 1000-kBit/s Default 125-kBit/s

### LIN-bus

Lin Specification 2.1
-----------------------

## Technical Examination

E1 Approval Number	057139
--------------------	--------

## Possible Inputs

Analog input	1
--------------	---

## Technical Data Inputs

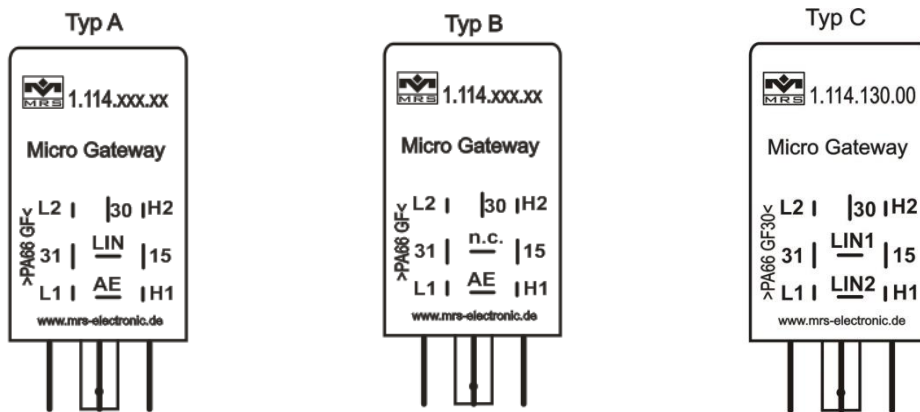
Characteristics of Analog Inputs	Standard
Input Voltage	0 V...30 V
Resolution	12-bit
Input Resistance	66.66 kΩ



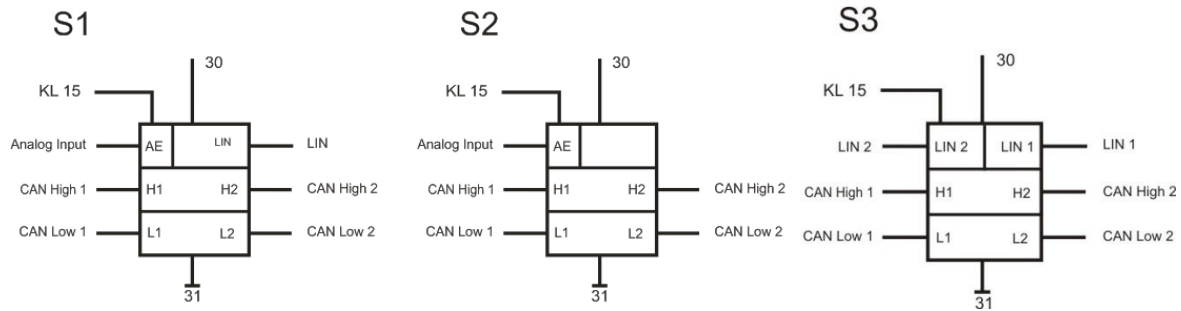
## Programming

Interface	CAN-bus
Software	MRS Developers Studio with built-in function library, similar programmable like FUP. Customized program components can be integrated into "C-code". Program memory is sufficient for about 300 simple components.

## Design



## Connection Diagram





### Connection Assignment

Pin	Signal	Pin Description
01	H2	CAN-high 2
02	KL 30 - Vcc	Operating voltage 9 - 30 V / LIN 12 V
03	L2	CAN-low 2
04	KL15	Ignition
05	LIN	LIN-bus (optional)
06	31 - GND	Mass
07	K1	CAN-high 1
08	AE	Analog input
09	L1	CAN-low 1

### Order Information

Designation	Execution	Connection diagram / Housing / Baseplate	Order Number
Micro Gateway CAN-CAN-LIN	2 x CAN-bus, LIN	S1/G3/T	1.114.110.00E
Micro Gateway	2 x CAN-bus, 2 x LIN	S3/G3/T	1.114.130.00E
Micro Gateway	2 x CAN-bus	S2/G3/T	1.114.300.00E

### Accessories

Designation	Order Number
Programming Tool MRS Developers Studio	1.100.100.09
Socket	1.017.002.00
Cable Set for Micro Gateway (Connection KL30 and CAN L2 must be separated)	109446
PCAN-USB Interface	105358
FASTON Terminal® 6,3 mm 1.5-2.5 mm <sup>2</sup>	103064
FASTON Terminal® 6.3 mm 1.0 mm <sup>2</sup>	102355
FASTON Terminal® 2.8 mm 0.5-1.0 mm <sup>2</sup>	105292