



Micro PLC CAN 4 ANA





Technical Data

Construction	Standard Relay
Mounting	Socket
Connector	FASTON Terminal® 6.3 mm FASTON Terminal® 2.8 mm
Housing Dimensions	30 x 30 x 40 mm
Weight	30.2 g
Ambient Temperature	- 40°C to 85°C
Protection Class	IP53
Operating Voltage U _B	9 - 30 V
Current Consumption	25 mA
Current Consumption Sleep Mode	250 µA
Protection	

Processor

Manufacturer	Freescale
Processor type	S9S08DZ60
Clock frequency	20 MHz
Flash	60 K
Ram	4 K
EEPROM	2 K

Interfaces

CAN-bus

According to ISO 11898-5	Low/high-speed
According to CAN 2.0A	11-bit standard address identifier
According to CAN 2.0B	29-bit extended address identifier
Baud Rate	20-kBit/s – 1000-kBit/s Default 125-kBit/s

Technical Examination

EMV	2006/28/EG; DIN 40839
E1 ECE R10 Approval Number:	047522

Possible Inputs and Outputs

Digital Inputs	4
Frequency Inputs	2
Analog inputs 0-11V, 0-30V, 0-25mA	4
Analog outputs 0-10V, 0-25mA	4



Technical Data Inputs and Outputs

Characteristics of Digital Inputs	Standard	Frequency Input
Input Voltage	0 V...U _B	0 V... U _B
Switch-On Threshold	7 V	7 V
Switch-Off Threshold	4 V	4 V
Input Resistance	22.6 kΩ	
Input Frequency	Up to 100 Hz	2.8kHz

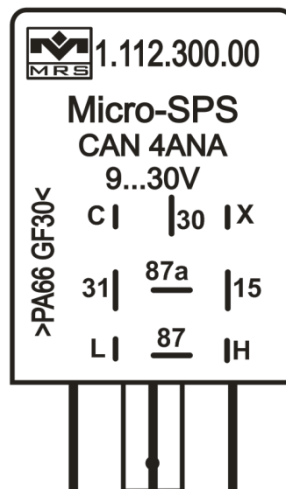
Characteristics of Analog Inputs	Standard	30V	Current Input
Input Voltage	0 V... 11.3 V	0 V... 33.68 V	0-25mA
Resolution	12-bit	12-bit	
Input Resistance	22.6 kΩ	54.6kΩ	500Ω
Pull-up Resistor			
Pull-down Resistor			

Characteristics of Analog Outputs	0-10 V (U _B -3V)	0-20 mA
Switching Current	20mA	20mA
Resolution	16-bit	16-bit

Programming

Interface	CAN-bus
Software	MRS Developers Studio with built-in function library, similar programmable like FUP. Customized program components can be integrated into "C-code". Program memory is sufficient for about 300 simple components.

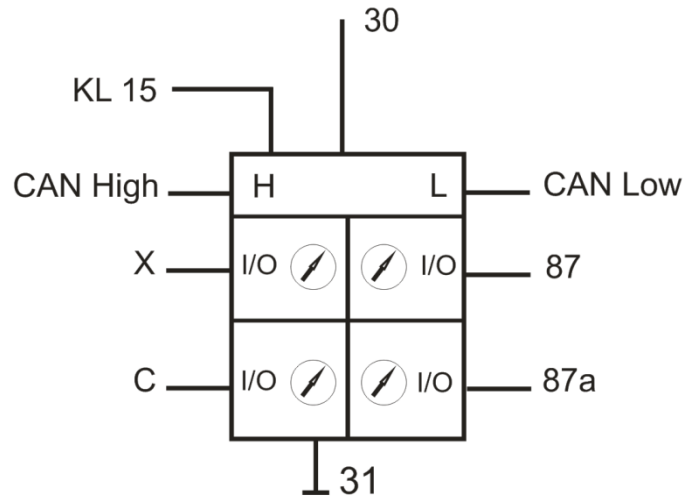
Design





Connection Diagram

S1

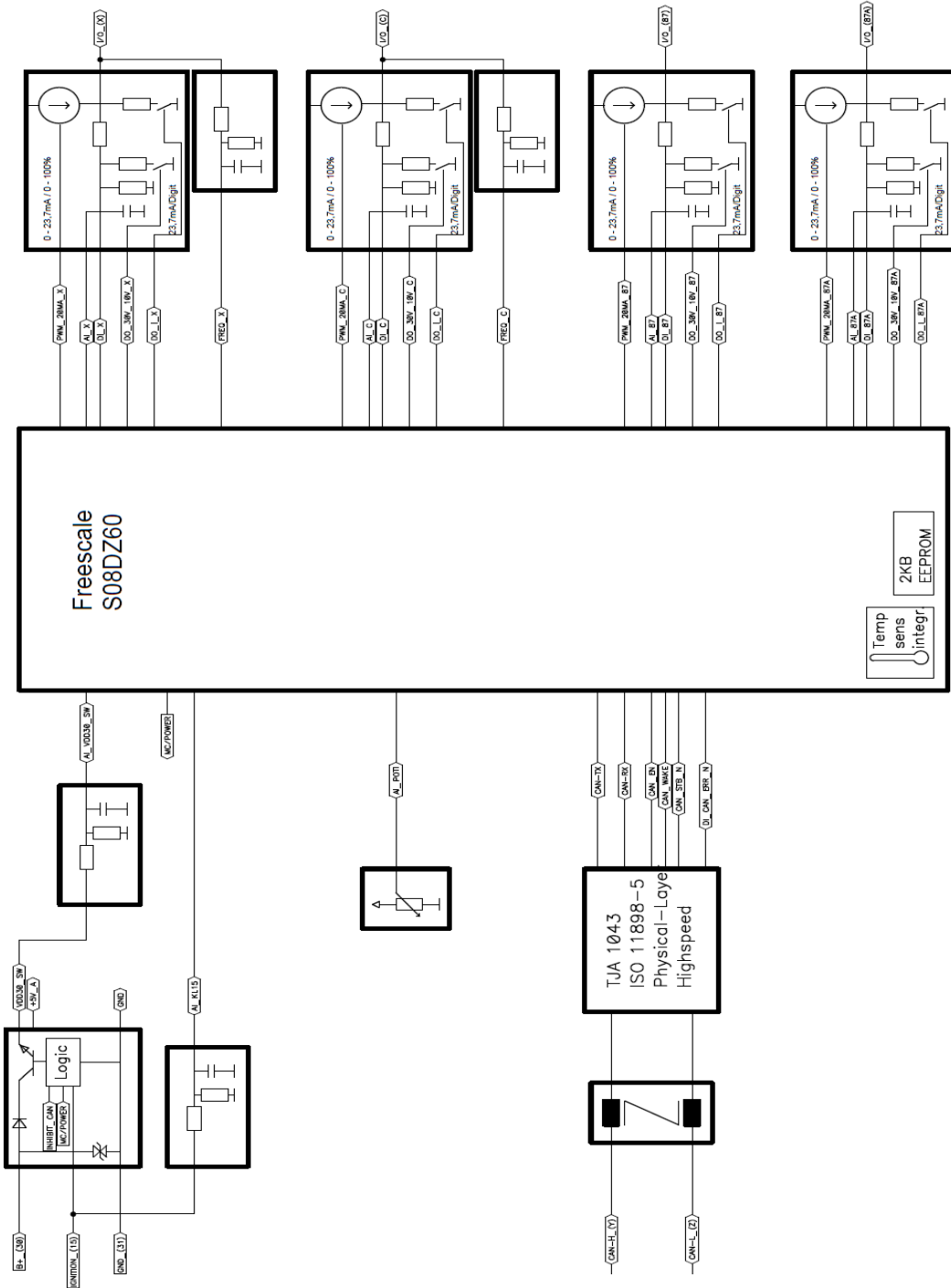


Connection Assignment

Pin	Signal	Pin Description
01	X	I/O X
02	30	Supply Vcc 9-30V analog input
03	C	I/O C
04	15	Analog input 0-30V
05	87a	I/O 87a
06	31	Supply GND
07	CAN-H	CAN high
08	87	I/O 87
09	CAN-L	CAN low



Blockdiagram



Datasheet
Micro PLC CAN 4 ANA

MRS Electronic, Inc.®
2149 Winner Circle
Dayton, OH 45404
(937) 522-0800
www.mrs-electronic.com



Order Information

Designation	Housing	Order Number
Micro PLC CAN 4 ANA	S1/G2/T	1.112.300.00E

Accessories

Designation	Order Number
Programming Tool MRS Developers Studio	1.100.100.09
Socket	1.017.002.00
Cable Set for Micro PLC CAN	109446
FASTON Terminal® 6.3 mm 1.5-2.5 mm ²	103064
FASTON Terminal® 6.3 mm 1.0 mm ²	102355
FASTON Terminal® 2.8 mm 0.5-1.0 mm ²	105292
Bracket for Housing	1.017.080.00
PCAN-USB Interface	105358