



Micro PLC CAN with 4 I/O





Technical Data

Construction	Standard Relay
Mounting	Socket
Connector	FASTON Terminal® 6.3 mm/ FASTON Terminal® 2.8 mm
Housing Dimensions	30 x 30 x 40 mm
Weight	27 g
Ambient Temperature	- 40°C to 85°C
Protection Class	IP53
Operating Voltage U _B	9 - 30 V
Current Consumption	25 mA
Protection	25 mA + load current

Processor

Manufacturer	Freescale
Processor Type	S9S08DZ60
Clock Frequency	20 MHz
Flash	60 K
Ram	4 K
EEPROM	2 K

Interfaces

CAN-bus

According to ISO 11898-5	High-speed
According to CAN 2.0A	11-bit standard address identifier
According to CAN 2.0B	29-bit extended address identifier
Baud Rate	20-kBit/s – 1000-kBit/s Default 125-kBit/s

Technical Examination

EMV	In progress
E1 Approval Number	047199

Possible Inputs and Outputs

Analog Inputs	5
Digital Outputs	4



Technical Data Inputs and Outputs

Characteristics of Digital Outputs 87 87a C X

Load Current	2.5 A per channel	
Overload Resistance	Electronically protected	

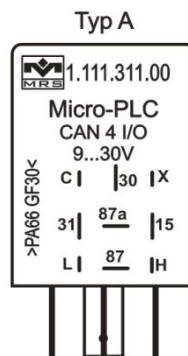
Characteristics of Analog Inputs

	Standard	30V
Input Voltage	0 V... 11.3 V	0 V... 33.68 V
Resolution	12-bit	
Input Resistance	22.6 kΩ	
Input Frequency	11.3 V input 30 Hz/30V input 22 Hz	

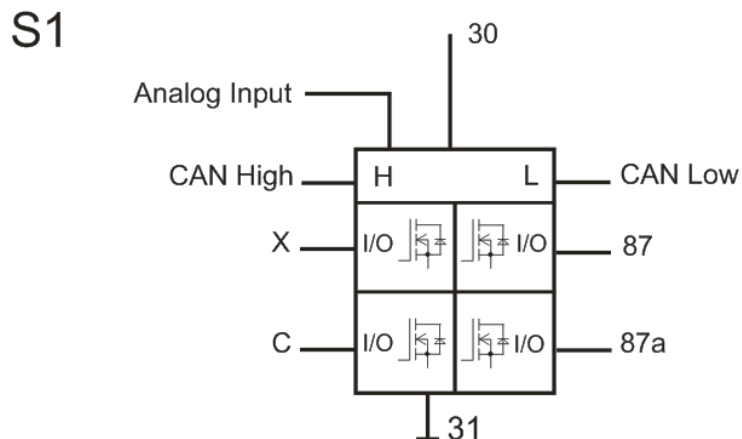
Programming

Interface	CAN-bus
Software	MRS Developers Studio with built-in function library, similar programmable like FUP. Customized program components can be integrated into "C-code". Program memory is sufficient for about 300 simple components.

Design



Connection diagram





Connection Assignment

Pin	Signal	Pin Description
01	X	I/O
02	30	Supply Vcc
03	C	I/O
04	15	Analog input
05	87a	I/O
06	31	Supply GND
07	CAN-H	
08	87	I/O
09	CAN-L	

Order information

Designation	Housing	Order Number
Micro PLC CAN 4 I/O	S1/G2/T	1.111.311.00E

Accessories

Designation	Order Number
Programming Tool MRS Developers Studio	1.100.100.09
Socket	1.017.002.00
Cable Set for Micro PLC CAN	109446
FASTON Terminal® 6.3 mm 1.5-2.5 mm ²	103064
FASTON Terminal® 6.3 mm 1.0 mm ²	102355
FASTON Terminal® 2.8 mm 0.5-1.0 mm ²	105292
Bracket for Housing	1.017.080.00
PCAN-USB Interface	105358