



# Prop CAN





## Technical Data

Construction	Standard Relay
Mounting	Socket
Connector	FASTON Terminal® 6.3 mm / FASTON Terminal® 2.8 mm
Housing Dimensions	30 x 30 x 40 mm
Weight	58 g
Ambient Temperature	- 40 °C to 85 °C
Storage Temperature	- 40 °C to 85 °C
Protection Class	IP53
Operating Voltage U <sub>B</sub>	9 – 30 V
Current Consumption	250 µA + load current
Protection	Depending on load current
Quiescent Current	250 µA (stand-by)
Continuous Current	3 A

## Processor

Manufacturer	Freescale
Processor Type	S9S08DZ60
Clock Frequency	40 MHz
Flash	60 K
Ram	4 K
EEPROM	2 K

## Technical Examination

EMV	In progress
E1 ECE R10 approval-no.	047521

## Possible Inputs and Outputs

Analog Inputs	2
PWM-Output	1

## Technical Data Inputs and Outputs

### Characteristics Analog Inputs

Input Voltage	0-11.4 V
Resolution	12-bit
Input Resistor	22.68 kΩ

### Characteristics PWM Output

	9-30 V	100R 9-30 V
Output Current	Max. 3 A	2.5A cont./3.5 A for 5 min at +85 °C
Current Measurement Resolution	12-bit	

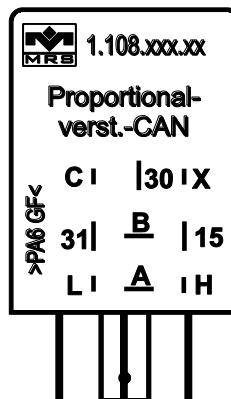
It's not permitted to operate the controller without load



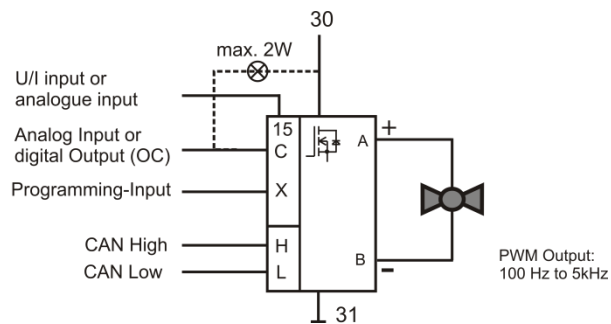
## Programming

Interface	CAN-bus
Software	MRS Developers Studio with built-in function library, similar programmable like FUP. Customized program components can be integrated into "C-code". Program memory is sufficient for about 300 simple components.

## Design



## Connection Diagram



## Ordering Information

Designation	Execution	Housing	Order Number
Prop CAN 9-30 V	Voltage/current set point with CAN-bus	S1/G2/E	1.108.310.00E
Prop CAN 100R 9-30 V	Voltage/current set point with CAN-bus	S1/G2/E	1.108.310.09

Datasheet  
Prop CAN

MRS Electronic, Inc.®  
2149 Winner Circle  
Dayton, OH 45404  
(937) 522-0800  
www.mrs-electronic.com



---

**Accessories**

---

<b>Designation</b>	<b>Order Number</b>
Programming Tool MRS Developers Studio	1.100.100.09
Cableset Prop CAN	109446
Socket	1.017.002.00
FASTON Terminal® 6.3 mm 1.5 – 2.5 mm <sup>2</sup>	103064
FASTON Terminal® 6.3 mm 1 mm <sup>2</sup>	102355
FASTON Terminal® 2.8 mm 0.5 – 1.0 mm <sup>2</sup>	105292
PCAN-USB Interface	105358