



# Relay with Priority Control





## Technical Data

Construction	Automotive Standard Relays
Montage	Socket
Connector	FASTON Terminal® 6.3 mm/FASTON Terminal® 2.8 mm
Housing Dimensions	30 x 30 x 40 mm housing G2
Weight	47g
Ambient Temperature	- 40 °C – 70 °C
Storage Temperature	- 50 °C – 85 °C
Protection Class	IP53
Operating Voltage	24 V
Current Consumption Selection	<100mA
Fuse Protection	Depending on load current
Limited Permanent Current	6 A (S)

## Technical Examination

EMV	Upon request
E1 approval-no.	Upon request

## Possible Inputs and Outputs

### Relay Outputs

Load Circuit	2x NO
Control Circuit	1x NC

Manufacturer of the assembled relay:  
<http://www.elestarelays.com/files/PDF/de/SIS3.pdf>

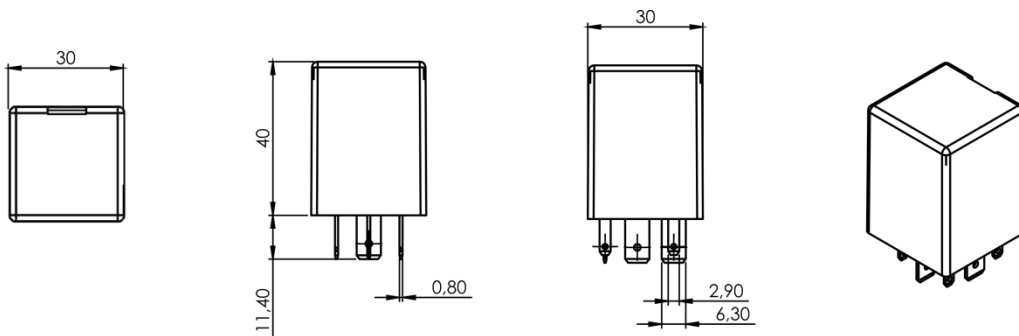
## Technical Data Inputs and Outputs

### Specific Values Relay Output

Max Switching Capacity DC1	24V/6A
Max Switching Capacity DC13	24V/5A/0.1Hz
Mechanical Lifetime	>10x10 <sup>6</sup> switching cycles
Switching Current Area	3mA – 6A

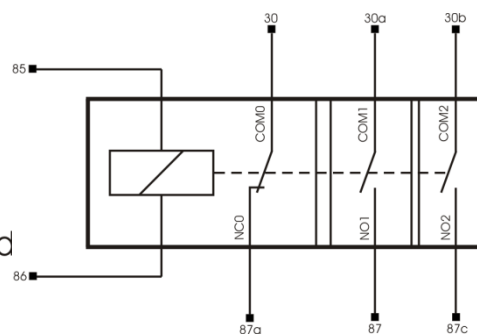


## Mechanical Dimensions



## Connection Assignment and Schematics

- 30a ——— COM 1
- 30 ——— COM 0
- 87c ——— NO 2
- 85 ——— 24V
- 30b ——— COM 2
- 86 ——— GND
- n.c. ——— not connected
- 87 ——— NO 1
- 87a ——— NC 0



Data Sheet  
Relay with Priority Control

MRS Electronic, Inc.®  
2149 Winner Circle  
Dayton, OH 45404  
(937) 522-0800  
www.mrs-electronic.com



### Order Information

Label	Order Number
Relay with Priority Control	1.058.200.00

### Mating Connector and Housing Accessories

Label	Order Number
Flat Pin Socket	1.017.002.00
FASTON Terminal® 6.3 mm 1.5 – 2.5 mm <sup>2</sup>	103064
FASTON Terminal® 6.3 mm – 1 mm <sup>2</sup>	102355
FASTON Terminal® 2.8 mm 0.5 – 1.0 mm <sup>2</sup>	105292
Bracket for Housing	1.017.080.00