



# Multi-timer





## Technical Data

Construction	Standard Relay
Mounting	Socket
Connector	FASTON Terminal® 6,3mm FASTON Terminal® 2,8mm
Housing Dimensions	30 x 30 x 40 mm
Weight	33.64 g
Ambient Temperature	- 40 °C to 85 °C
Storage Temperature	- 40 °C to 85 °C
Protection Class	IP30
Operating Voltage U <sub>B</sub>	12 V / 24 V
Current Consumption	250 µA + load current
Protection	Depending on load current
Quiescent Current	250 µA
Max. Switching Voltage/Switching Current/ Continuous Current/Switch – On Current	See datasheet Hongfa HFKP/012-1Z3T (12 V) or HFKP/024-1Z3T (24 V)

## Processor

Manufacturer	Texas Instruments
Processor Type	MSP430
Clock Frequency	8 MHz
Flash	4 KB
Ram	256 Byte

## Technical Examination

EMV	In progress
E1 Approval Number	In progress

## Possible Inputs and Outputs

Analog Inputs	2
---------------	---

## Technical Data Inputs and Outputs

### Characteristics Relay Output

Load Current	30 A NC/40 A NO
--------------	-----------------

### Characteristics Analog Inputs

Input Voltage	0-33 V
Resolution	10-bit
Input Resistance	1.1 MOhm
Input Frequency	>1 kHz



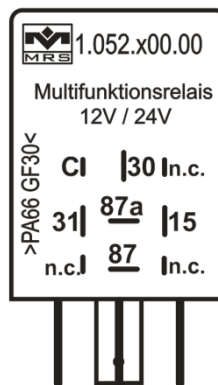
## Function Table

Switch position	Function	Time area
0	Delay on	0 - 30 Sec.
1	Delay on	30 - 60 Sec.
2	Delay on	1 - 5 Min.
3	Delay off	0 - 30 Sec.
4	Delay off	30 - 60 Sec.
5	Delay off	1 - 5 Min.
6	Toggle	0 - 30 Sec.
7	Impulse	0 - 30 Sec.

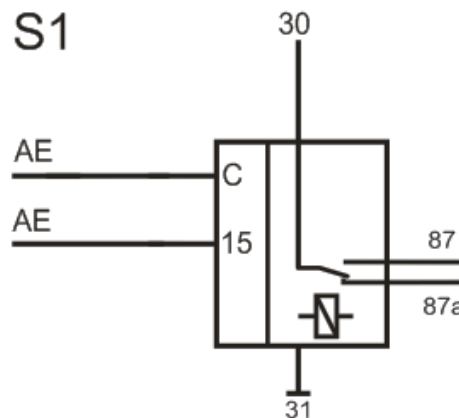
## Programming

Interface	The programming is done via the relay contacts. There is no need to a mechanical intervention / to open the housing.
Software	Graphical programming by MRS Realizer I. Complex applications can be implemented in "C-code".

## Design



## Connection Diagram



Datasheet  
Multi-timer

MRS Electronic, Inc.®  
2149 Winner Circle  
Dayton, OH 45404  
(937) 522-0800  
www.mrs-electronic.com



## Order Information

Designation	Housing	Order Number
Multitimer 12 V	S1/G2/T	1.052.100.00E
Multitimer 24 V	S1/G2/T	1.052.200.00E

## Accessories

Designation	Order Number
Programming Tool MRS Realizer I	1.100.000.01
Socket	1.017.002.00
FASTON Terminal® 6.3 mm 1.5 – 2.5 mm <sup>2</sup>	103064
FASTON Terminal® 6.3 mm 1 mm <sup>2</sup>	102355
FASTON Terminal® 2.8 mm 0.5 – 1.0 mm <sup>2</sup>	105292
Bracket for housing	1.017.080.00