

Datasheet
DC/DC 2A with 5V VRef

MRS Electronic, Inc.®
2149 Winner Circle
Dayton, OH 45404
(937) 522-0800
www.mrs-electronic.com



DC/DC 2A

Datasheet
DC/DC 2A with 5V VRef

MRS Electronic, Inc.®
2149 Winner Circle
Dayton, OH 45404
(937) 522-0800
www.mrs-electronic.com



Technical Data

Construction	Standard relay
Mounting	Socket
Connector	FASTON Terminal® 6.3 mm (connections 30, 31,87, 87a)
Housing Dimensions	30 x 30 x 40 mm
Ambient Temperature	-40 up to 85°C
Storage Temperature	-40 up to 85°C
Protection Class	IP53
Operating Voltage U_B	12 – 30 V DC
Current Consumption	Max. 2 A

Characteristics 10V (Type 1.044.300.00)

Output Voltage	10 V DC
Precision	+/- 3% Full scale
Max. Current	2 A
Clock Frequency	500 kHz

Characteristics 17V (Type 1.044.300.17)

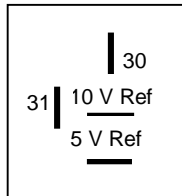
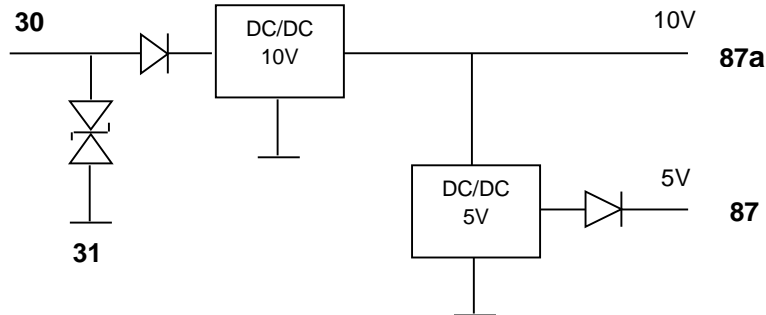
Output Voltage	17 V DC
Precision	+/- 3% Full scale
Max. Current	2 A
Clock Frequency	500 kHz

Characteristics 5V-Ref

Output Voltage	5 V DC
Precision	+/- 2% Full scale
Max. Current	100 mA



Connection Diagram/Connection Assignment



Pin Description

Pin	Function
87	Vref 5 V
87a	VOut 10 V (Typ 1.044.300.00) VOut 17 V (Typ 1.044.300.17)
30	U _B operating voltage
31	Mass

Order-information

Designation	Order Number
DC/DC 2 A with 10 V/5 V Ref.	1.044.300.00E
DC/DC 2 A with 17 V/5 V Ref.	1.044.300.17E

Accessories

Designation	Order Number
Socket	1.017.002.00