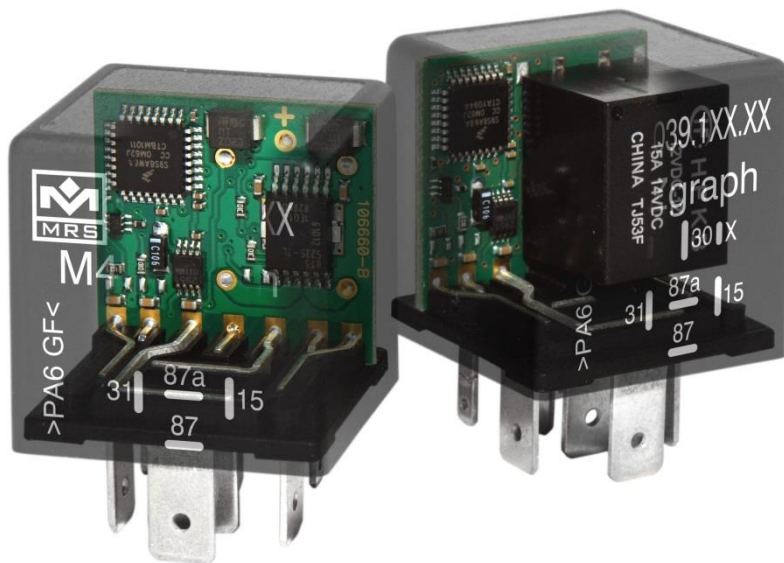




Micro PLC M4





Technical Data

Construction	Automotive Standard Relay
Mounting	Socket
Connector	FASTON Terminal® 6.3 mm FASTON Terminal® 2.8 mm
Housing Dimensions	30 x 30 x 30 mm
Weight	20 g
Ambient Temperature	-40°C up to 85°C
Storage Temperature	-40°C up to 85°C
Protection Class	IP53
Operating Voltage U _B	12V / 24V / 9 - 30 V DC
Limiting Continuous Current	10 / 15 A (NO/NC)

Processor

Manufacturer	Freescall
Processor Type	S9S08AW16
Clock Frequency	40 MHz
Flash	8 KB
Ram	768 Byte

Technical Examination

E1 Approval Number	04 7283
--------------------	---------

Possible Inputs and Outputs

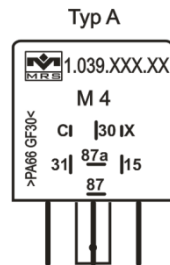
Analog Inputs	3
Digital Outputs	2
Digital Inputs	1

Programming

Interface	The programming is done via the relay contacts. This is a mechanical intervention/no need to open the housing.
Software	Graphical programming by MRS Realizer I. Complex applications can be implemented in "C-code" code.

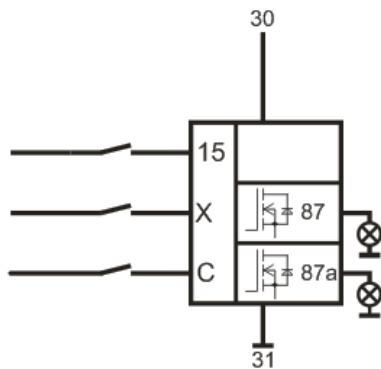


Design

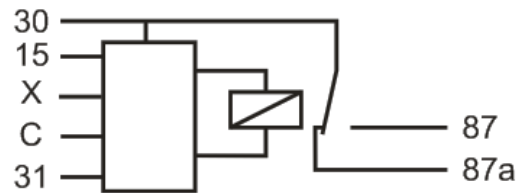


Connection Diagram

S1



S2



Connection Assignment

Pin	Signal	Pin Description
01	X	Analog input
02	KL 30 - Vcc	Operating voltage
03	C	Analog input
04	KL15	Analog input / digital input
05	KL 87a	Digital output (HSD) – relay contact NC
06	KL 31 - GND	Mass
07	KL 87	Digital output (HSD) – relay contact NO

Datasheet
Micro PLC M4

MRS Electronic, Inc.®
2149 Winner Circle
Dayton, OH 45404
(937) 522-0800
www.mrs-electronic.com



Order Information

Designation	Execution	Connection Diagram / Housing / Baseplate	Order Number
Micro PLC M4 12 V	Relay	S1/G1/S	1.039.100.00E
Micro PLC M4 24 V	Relay	S1/G1/S	1.039.200.00E
Micro PLC M4 9 - 30 V	2-high side output	S1/G1/S	1.039.300.00E

Accessories

Designation	Order-No.
Programming Tool MRS Realizer	1.100.000.01
Socket	1.017.002.00
FASTON Terminal® 6.3 mm 1.5-2.5 mm ²	103064
FASTON Terminal® 6.3 mm 1.0 mm ²	102355
FASTON Terminal® 2.8 mm 0.5-1.0 mm ²	105292